

GOLIATH

LED OFFROAD SPOTLIGHT

A ruggedized high output LED spotlight
with efficient power consumption and
full sized mounting solution

PlasmaGlow
Part # 11163 - Main



Key Features:

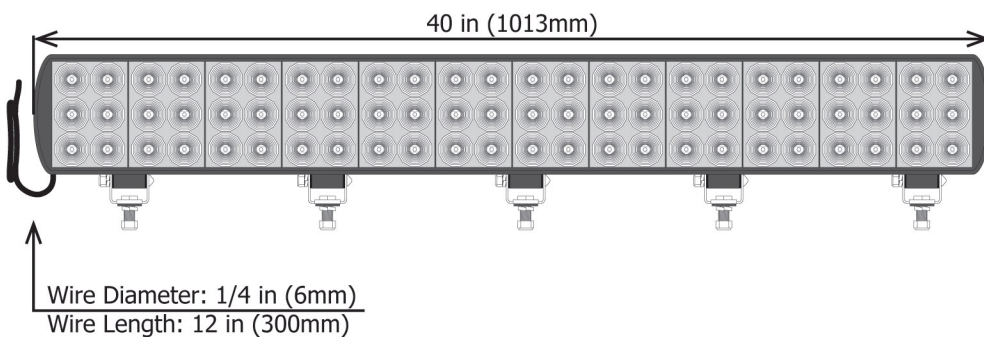
- 72 High Output Cree LEDs
- 100% Waterproof IP68 Rating
- Shockproof Aluminum Body
- High Impact Lexan Lens
- Integrated Heat Solution
- Fully Adjustable Mounting Bracket

Technical Specifications:

- LED Spec:** QTY 72 Cree LEDs
- Operating Voltage:** 10 VDC to 30 VDC
- Amp Draw:** 18A @ 12VDC
- Wattage:** Draws 216 Watts
- LED Life:** 50,000 Duty Hours
- Total Output:** 21,000 Lumens
- Case:** Aluminum
- Weight:** 18.8 lb (8.5 kg)

Dimensions:

Front View



Side View

